



A Streetcar Named Desire

Scenery, Props & Costumes

Production Information:

Music By	Andre Previn
Libretto by	Phillip Littell
Conductor	Ari Pelto
Stage Director	Sam Helfrich*
Costume Designer	Kaye Voyce
Lighting Designer	Aaron Black
Wig /Make-Up Designer	James McGough

*Please note right of first refusal

Opened at Virginia Opera Association Feb 2013

Concept Period	Costumes are late 1940s
Technical Director	Dave Smith
Scenic Shop	Theatrical Builds
Year Set Built	2012

Costume Shop Manager	Pat Seyller
Year Costumes Built	2012
Cast	Principals: 11 Supers: 6





A Streetcar Named Desire

Scenery, Props & Costumes

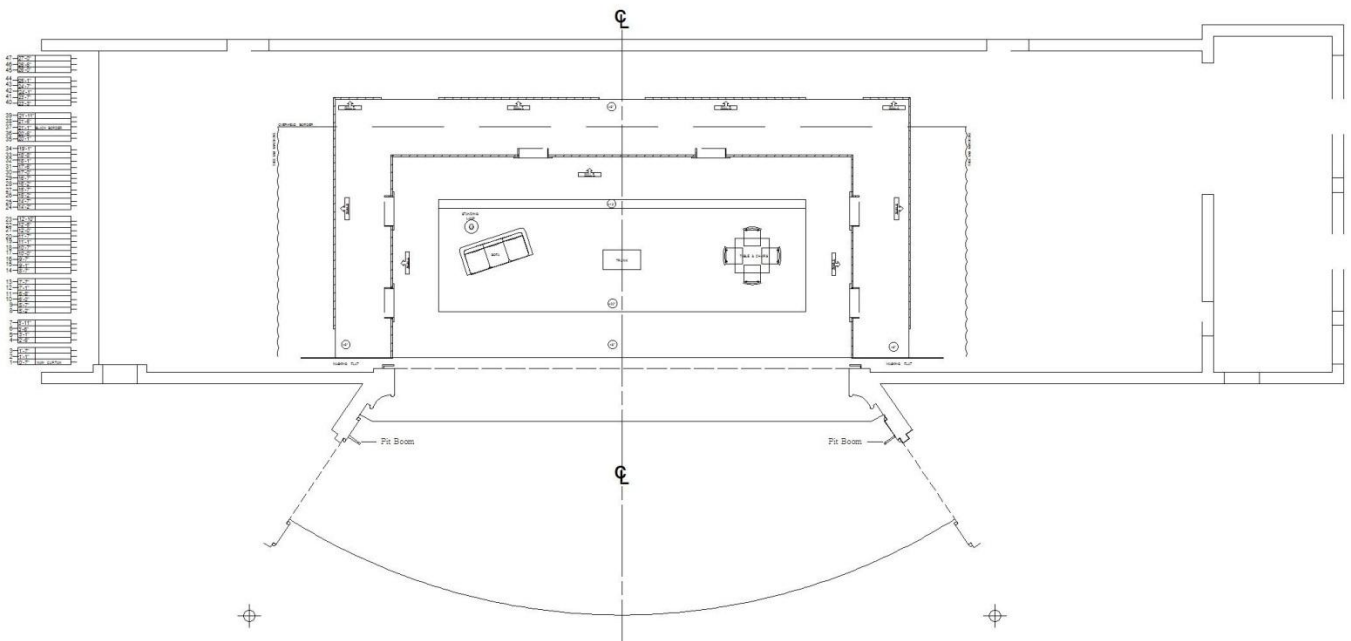
Technical Information:

Minimum Width	40'-0"
Minimum Depth	26'-6"
Total Number of Linsets	12
Line Sets for Set/ Masking	6
Height of Tallest Drop	N/A
Tripping of Drops permitted	No
Furthest US Flying piece	26'-6"
Heaviest Flying Scenery	450 lbs. Black Scenic Legs
Stock Soft Goods used	1 DS Black Out Curtain 1 set Black Legs 2 Black Borders 1 US Black Out Curtain
Stock Soft Goods included	None

Crew Requirements: In Fairfax, VA the following crews were used to load in Scenery. It does not include Lighting.

	Carpenter	Hours
Load in	10	8
Show	House Crew	
Load out	10	4

	Props	Hours
Load in	1	4
Show	1	
Load out	1	4





Costumes

A Streetcar Named Desire Scenery, Props & Costumes

Blanche 5' 8", b 40 w 31 h 43



Stella 5'7". b 42 w 35 h 42



Stanley 5' 11", c 43 w 35 h



Mitch 6' 0", c 55 w 52, h 52



Additional Costume images and a full inventory are available upon request.

- Eunice 5'7", b 59 w 45 h 58
- Steve 5'5", c 42 w 38 h 41
- Pablo 6'0", c 40 w 33 h 34
- Young Collector 6'3", c 55 w 53 h 50
- Mexican Woman 5'8", b 40 w 29 h 42
- Doctor 6'3", c 43 w 43 h 41
- Nurse 5'3", b 34 w 27 h 34
- Super 1 Male 6'0", c 35 w 30 h 38
- Super 2 Male 5'11", c 37 w 33 h 40
- Super 3 Male 6'0", c 42 w 36 h 41
- Super 4 Male 6'0", c 39 w 32 h 40
- Super 5 Male 5'10", c 43 w 37 h 43
- Super 6 Male 6'1", c 41 w 35 h 41



A Streetcar Named Desire

Scenery, Props & Costumes



Usage History:

Virginia Opera Association 2013

Additional Technical information is available upon request including drawings, scenic images, costume images, fly schedules etc.

Requirements

- 30 days notice for all warehouse loading
- 30 days notice of trucking company
- technical supervisor for load in, and load out; total working hours per day may not exceed 14 hours, including travel time; each additional hour or part thereof will be billed at a rate of Fifty (\$50.00) per hour
- costume supervisor for pack in, fittings and pack out, total working hours per day may not exceed 14 hours, including travel time; each additional hour or part thereof will be billed at a rate of Fifty (\$50.00) per hour
- air ride trailers (as specified) with full logistics package: E- track or logistics posts; load bars (10), straps (20) and packing blankets (30) for each trailer required. Rail shipment not permitted.
- All payments to be made in US funds payable to Virginia Opera Association
- Insurance certificate (in amount stated) for date of pick up through return, including all shipping and transport, as well as usage in Using Company's hall
- No alterations of any scenery
- Costumes alterations only with prior consent of Virginia Opera, and alterations to be restored by Using Company prior to return. At no time may any costume alteration involving cutting.